



**Metro Metal "Euromax" Shapar (Veraval) Gujarat India**

**+91 93273 53508**



# PRECISION MODULAR VICE



## Modular Vice Opening Size

**155 mm**

**305 mm**

**205 mm**

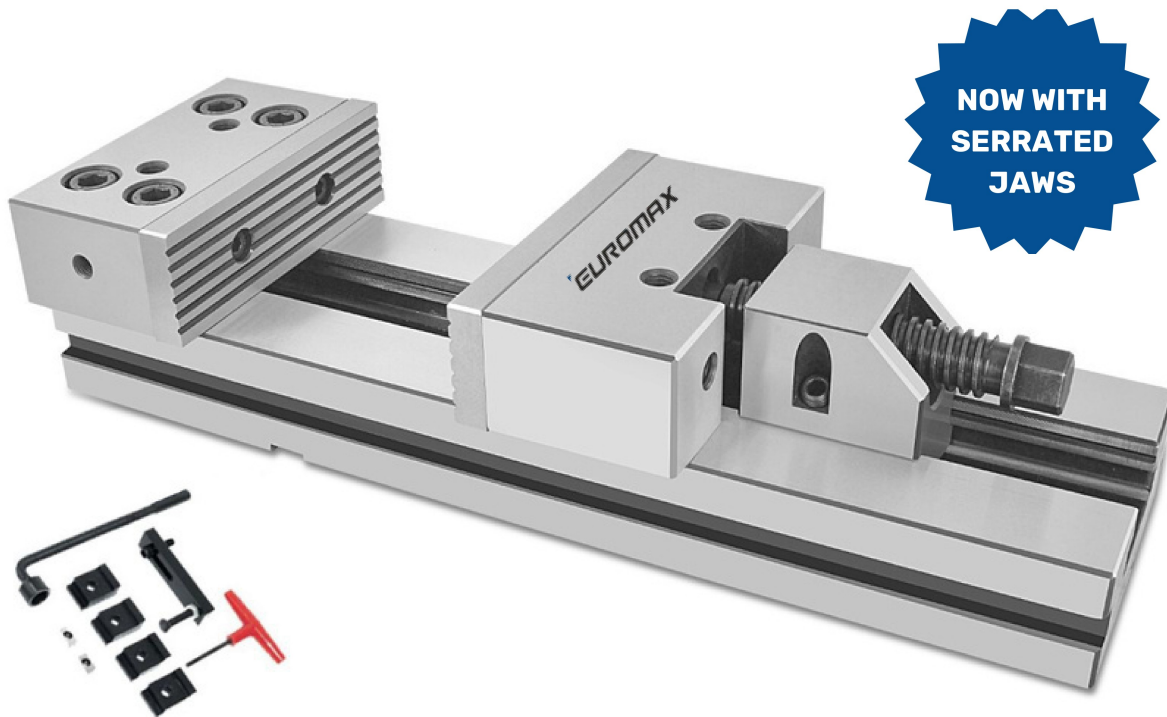
**355 mm**

**255 mm**

**405 mm**



# PRODUCT - E2710

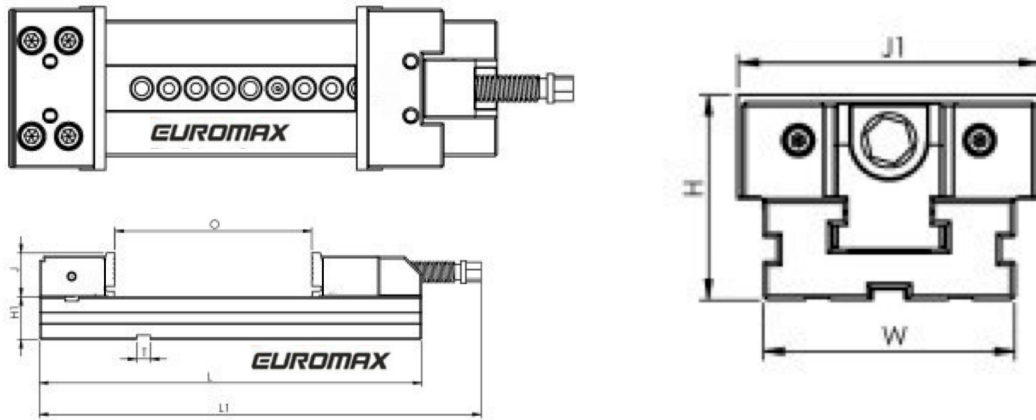


## Key Features

- This Vice designed for precision milling, grinding and widely used with CNC and standard milling machines.
- Both moving and fixed blocks are precision ground with parallelism accuracy 0.01 mm and thus a precise and safely clamping
- All components of vice are interchangeable with perfect alignment to provide different work to hold solutions.
- The space-saving design and solid construction allow a maximum blocking ratio to total overall dimension of the vice.
- Four extra tapped holes in moving and fixed rear blocks in front and top for optional jaws and fixtures.
- High alloyed quality resistance steel, case hardened HRC 60  $\pm$ 2 is used in all body and accessories of vice to give maximum rigidity, High performance & no wear.

## Standard Accessories

- 1 Work Stopper, 1 Pair of standard 16mm positioning key nuts,
- 4 Clamps, T Allen Key, 1 box Wrench

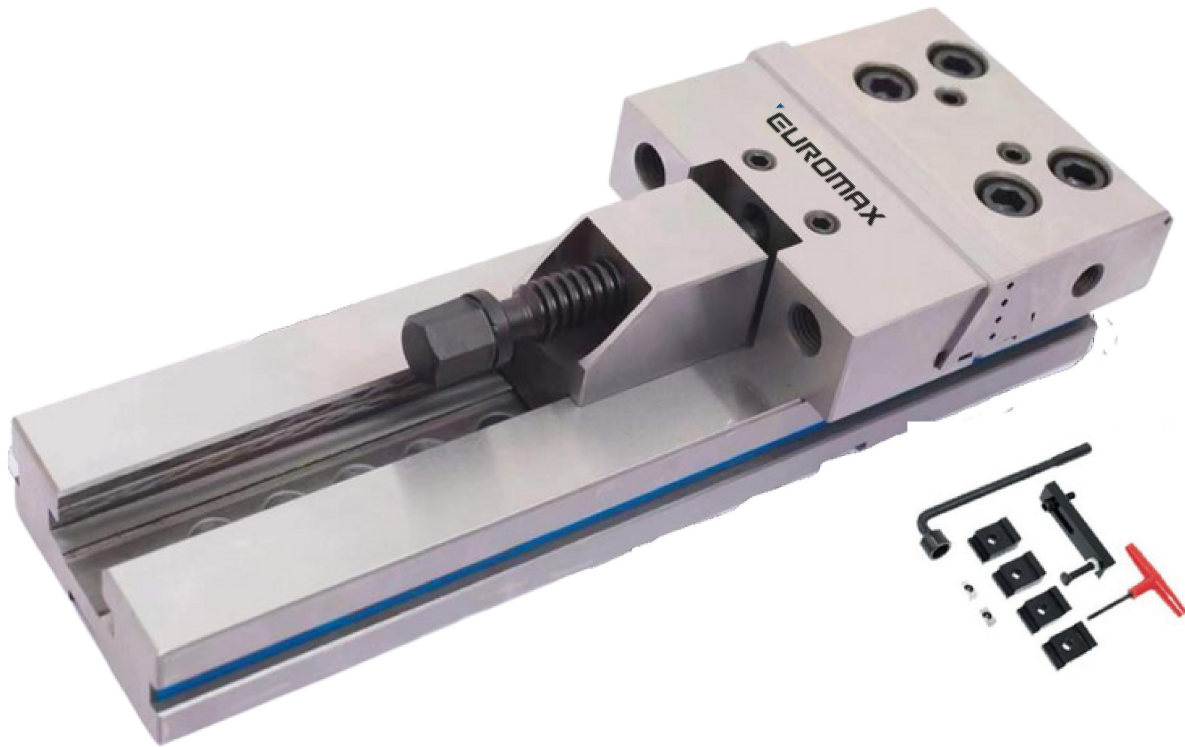


Model No.	L	W	H	O	L1	H1	J	J1	T	Weight (In Kgs)	Clamping Pressure (In Kgs)	Ex-Factory Price (excluding GST)
MPV-155	370	125	107	155	435	55	52	150	16	27	3700	34000
MPV-205	420	125	107	205	485	55	52	150	16	29	3700	37700
MPV-255	470	125	107	255	535	55	52	150	16	30	3700	42000
MPV-305	520	125	107	305	585	55	52	150	16	32.5	3700	45500
MPV-355	570	125	107	355	635	55	52	150	16	35	3700	71600
MPV-405	620	125	107	405	685	55	52	150	16	37	3700	84700





# PRODUCT - E2711



## Scope of Application

- VMC Machine – For efficient precision machining
- Horizontal installation – great variability & flexibility

## Key Features

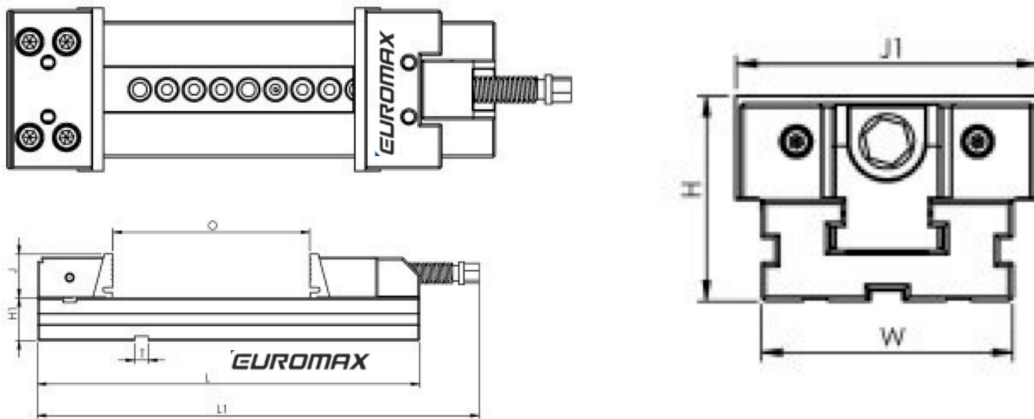
- Modular Vice designed for precision milling, grinding and widely used with CNC milling machines
- Both jaws plates are in pull-down angle. This ensures, during the clamping operation a down load run of the workpiece against the vice base and thus a precise and safe clamping.
- All components of vice are interchangeable with perfect alignment to provide differently work to hold solutions.
- The space-saving design and solid construction allow a maximum blocking ratio to total overall dimension of the vice.

## Key Features

- Four extra tapped holes with ground back jaw rear face increase maximum opening capacity with the addition of jaws extensions.
- Four extra tapped holes with ground back jaw rear face increase maximum opening capacity with the addition of jaws extensions.

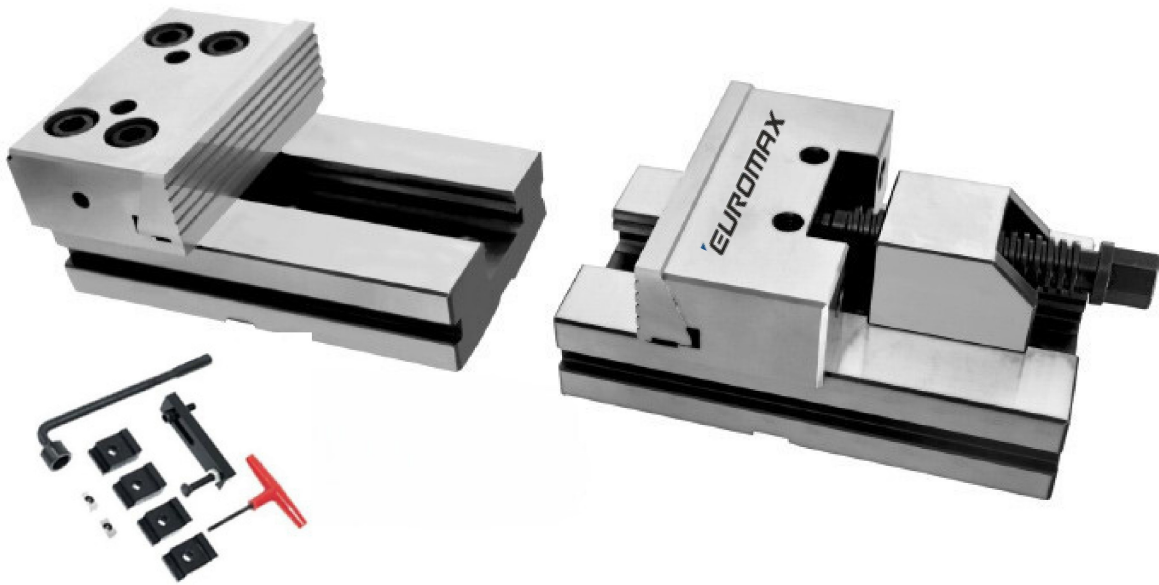
## Standard Accessories

- 1 Work Stopper, 1 Pair of standard 16mm positioning key nuts,
- 4 Clamps, T Allen Key, 1 box Wrench



Model No.	L	W	H	O	L1	H1	J	J1	T	Weight (In Kgs)	Clamping Pressure (In Kgs)	Ex-Factory Price (excluding GST)
PMV-155	370	125	105	155	435	55	50	150	16	27	3700	39000
PMV-205	420	125	105	205	485	55	50	150	16	29	3700	47000
PMV-255	470	125	105	255	535	55	50	150	16	30	3700	50000
PMV-305	520	125	105	305	585	55	50	150	16	32.5	3700	53100
PMV-355	570	125	105	355	635	55	50	150	16	35	3700	81000
PMV-405	620	125	105	405	685	55	50	150	16	37	3700	94000

# PRODUCT - E2712



## Scope of Application

- VMC Machine – For efficient precision machining
- Horizontal installation – great variability and flexibility

## Key Features

- Two Piece Modular Vice designed for precision milling, grinding and widely used with CNC and standard milling machines.
- Modular elements allow you perfect clamping even of big workpieces which need heaviest machining using the machine table as surface.
- This vice is a solution for a lot of applications and a perfect complement or alternative to single or double vices.
- Both jaws plates are in pull-down angle. This ensures, during the clamping operation a down load run of the workpiece against the vice base and thus a precise and safely clamping.

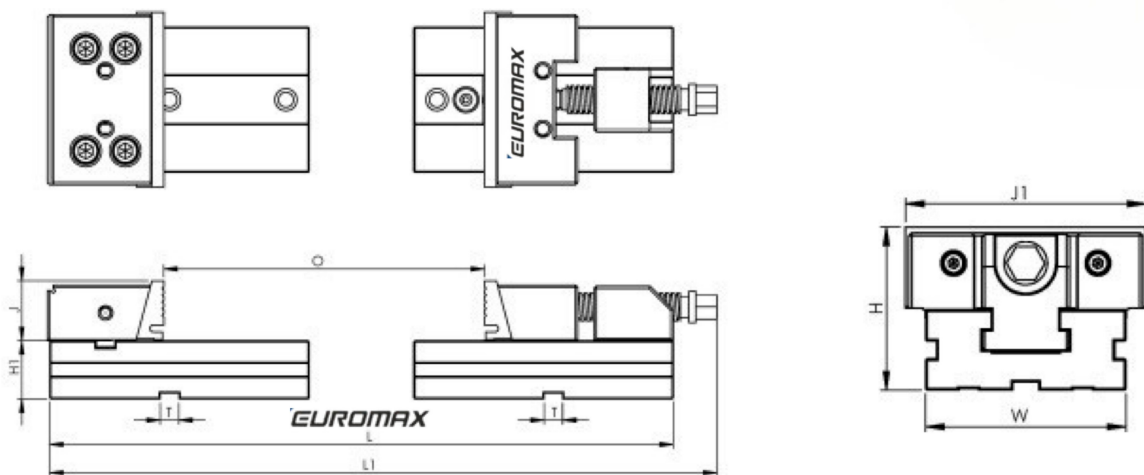


## Key Features

- All components of vice are interchangeable with perfect alignment to provide different work to hold solutions.
- The space-saving design and solid construction allow a maximum blocking ratio to total overall dimension of the vice.
- For extra tapped hole with ground back jaw rear face increase maximum opening capacity with the addition of jaws extensions.
- High alloyed quality resistance steel, case hardened HRC 60  $\pm$ 2 is used in all body and accessories of vice to give maximum rigidity, high performance & no wear.

## Standard Accessories

- 1 Work Stopper, 1 Pair of standard 16mm positioning key nuts,
- 4 Clamps, T Allen Key, 1 box Wrench



Model No.	L	W	H	O	L1	H1	J	J1	T	Weight (In Kgs)	Clamping Pressure (In Kgs)	Ex-Factory Price (excluding GST)
TPMV-155+	Unlimited	125	105	Assorted	Assorted	55	50	150	16	27	3700	55500



**Metro Metal "Euromax"**  
**Shapar (Veraval)**  
**Gujarat India**



**+91 93273 53508**



**info@euromaxindia.com**



**euromaxindia.com**

